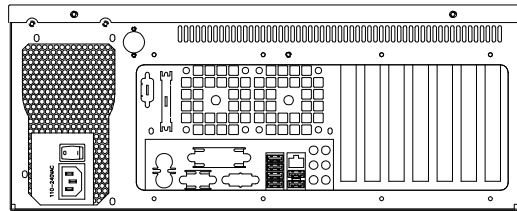
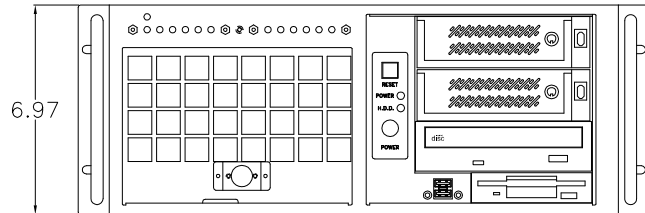


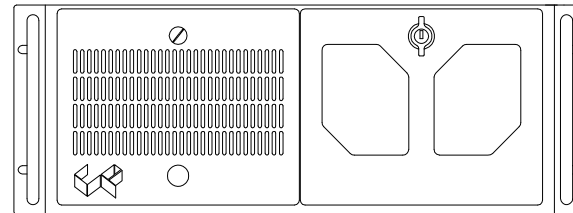
Rear View ATX Redundant



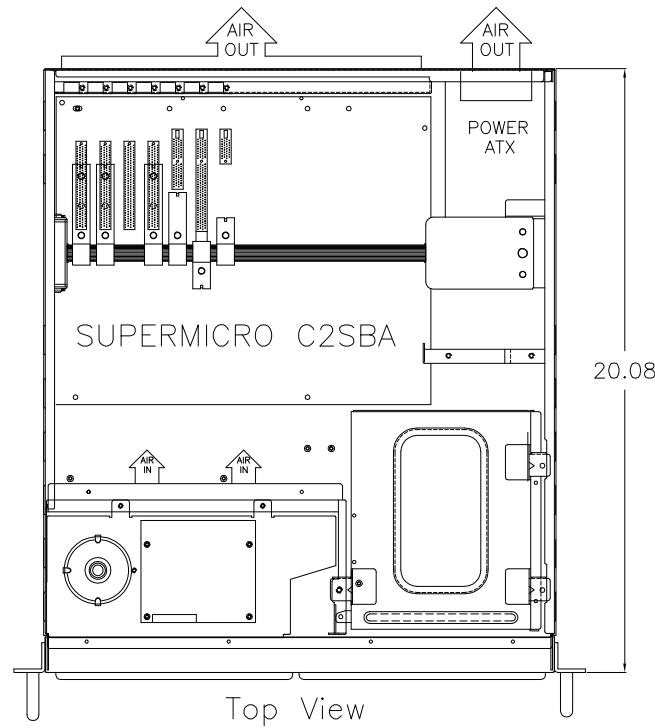
Rear View ATX PS/2



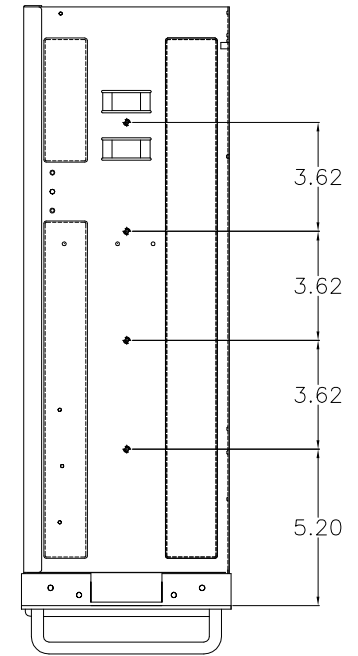
Front View - Doors Open



Front View - Doors Closed



Top View



Right-Side View



8295 Aero Plaza
San Diego, CA 92123
(858) 571-4330
www.chassisplans.com

THE INFORMATION CONTAINED IN THIS DOCUMENT IS THE SOLE PROPERTY OF CHASSIS PLANS, LLC. IS COPYRIGHTED, AND IS SUBJECT TO WRITTEN CONFIDENTIALITY AND NON-DISCLOSURE AGREEMENTS. THIS INFORMATION INCLUDING MODIFICATION OF THIS DOCUMENT IS CONFIDENTIAL AND PROPRIETARY TO CHASSIS PLANS, LLC. THIS DRAWING MAY NOT BE DISCLOSED TO THIRD PARTIES INCLUDING VENDORS OR OTHER SUPPLIERS WITHOUT EXPRESS WRITTEN PERMISSION OF CHASSIS PLANS, LLC. REPRODUCTION IN ANY FORM OR MEANS, MECHANICAL, INCLUDING PHOTOCOPIING OR BY ANY INFORMATION STORAGE AND RETRIEVAL SYSTEM WITHOUT THE EXPRESS WRITTEN PERMISSION OF CHASSIS PLANS, LLC. IS A VIOLATION OF STATE AND FEDERAL STATUTES AND WILL SUBJECT THE VIOLATOR TO MONETARY DAMAGES.
© CHASSIS PLANS, LLC. 2005

UNLESS OTHERWISE SPECIFIED DIMENSIONS ARE IN INCHES.
TOLERANCES ARE: DECIMALS .X ± .1 ANGLES
SCALE: NONE .XX ± .03 ± 0°30'
.XXX ± .010

MATERIAL	TITLE
FINISH	1B-40AE11 RUGGED ENTERPRISE SYSTEM CUSTOMER DRAWING
PART NUMBER	
1B-40AE11_CUSTOMER_DRAWING	
FILE: 1B-40AE11_CUSTOMER_DRAWING	SHEET 1 OF 1
DATE: 9/26/07	LAST EDIT DATE: 9/26/07