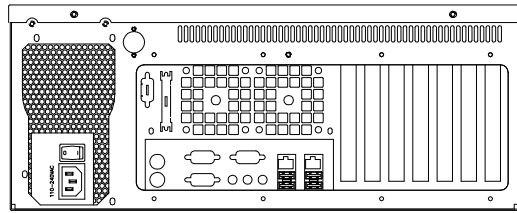
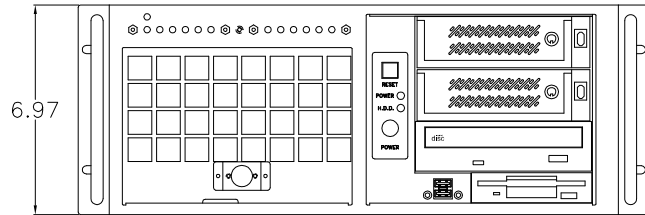


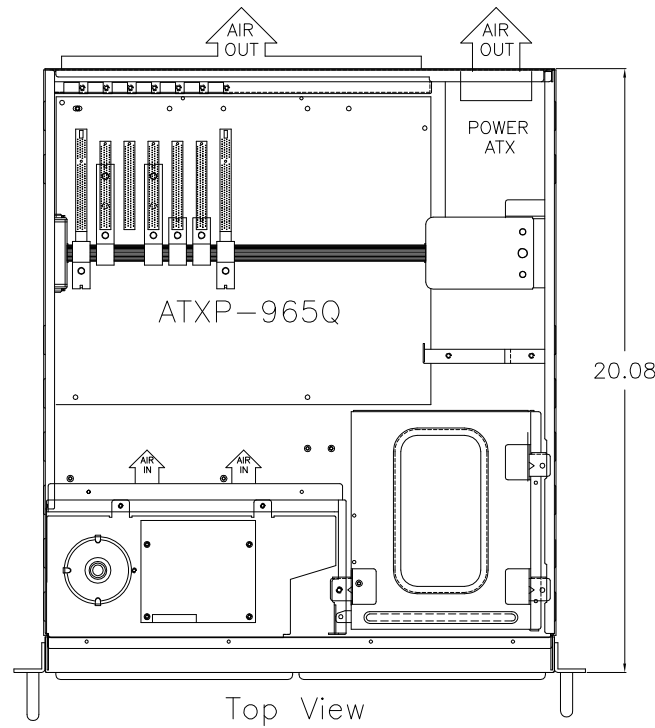
Rear View ATX Redundant



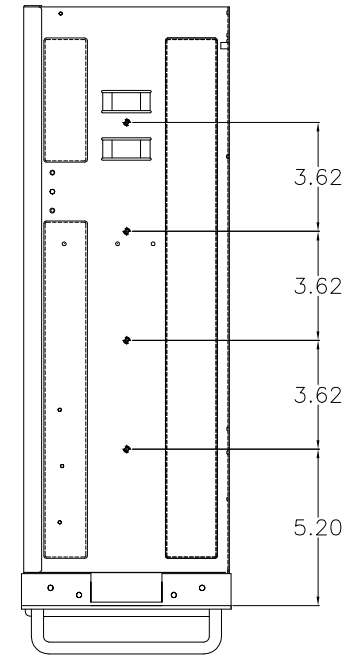
Rear View ATX PS/2



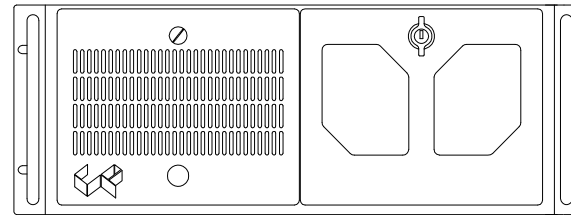
Front View - Doors Open




Top View



Right-Side View



Front View - Doors Closed

 8295 Aero Plaza San Diego, CA 92123 (858) 571-4330 www.chassisplans.com	THE INFORMATION CONTAINED IN THIS DOCUMENT IS THE SOLE PROPERTY OF CHASSIS PLANS, LLC. IS COPYRIGHTED, AND IS SUBJECT TO WRITTEN CONFIDENTIALITY AND NON-DISCLOSURE AGREEMENTS. THIS INFORMATION INCLUDING MODIFICATION OF THIS DOCUMENT IS CONFIDENTIAL AND PROPRIETARY TO CHASSIS PLANS, LLC. THIS DRAWING MAY NOT BE DISCLOSED TO THIRD PARTIES INCLUDING VENDORS OR OTHER SUPPLIERS WITHOUT EXPRESS WRITTEN PERMISSION OF CHASSIS PLANS, LLC. REPRODUCTION IN ANY FORM OR MEANS, MECHANICAL, INCLUDING PHOTOCOPIING OR BY ANY INFORMATION STORAGE AND RETRIEVAL SYSTEM WITHOUT THE EXPRESS WRITTEN PERMISSION OF CHASSIS PLANS, LLC. IS A VIOLATION OF STATE AND FEDERAL STATUTES AND WILL SUBJECT THE VIOLATOR TO MONETARY DAMAGES. © CHASSIS PLANS, LLC. 2005	MATERIAL	TITLE
	FINISH UNLESS OTHERWISE SPECIFIED DIMENSIONS ARE IN INCHES. TOLERANCES ARE: DECIMALS .X ± .1 ANGLES SCALE: NONE .XX ± .03 ± 0°30' .XXX ± .010	1B-40AE19 RUGGED ENTERPRISE SYSTEM CUSTOMER DRAWING	PART NUMBER 1B-40AE19_CUSTOMER_DRAWING
			SHEET 1 OF 1 LAST EDIT DATE: 9/26/07