

3VIEW TO GO™

Rugged Portable Triple
17-Inch LCD Display System

RUGGED ENTERPRISE CLASS

SYSTEMS ENGINEERED TO PERFORM®



The 3VIEW TO GO™ CPDT-3X17 Portable LCD System is designed to meet the needs of Mission Critical Applications, providing configurations that are truly Fit-for-Use in a variety of operating environments and with a wide range of options to serve the most demanding requirements.

Features

- ◆ Rugged Industrial Grade Design
- ◆ Three 17-Inch 5:4 LCD Displays
- ◆ 1280 x 1024 SXGA Resolution Each LCD
- ◆ Effective 3840 x 1024 Total Resolution
- ◆ Only 15.5 x 14.9 x 5.9-inches (closed)
- ◆ Weighs only 25 pounds
- ◆ Rugged Aluminum Construction
- ◆ Models with 3 VGA, 3 DVI-D or a Single VGA Input
- ◆ Independent Controls for Each LCD
- ◆ Tempered Glass Overlay for Each LCD

Support

- ◆ Superior Pre- and Post-sales Technical Support
- ◆ All Products Carry a One Year Limited Warranty

Customization

- ◆ OEM Custom Branding (paint and logo)
- ◆ Options for Bonded Anti Reflective Filters on LCDs, LCD Day Bright Enhancements, LCD Controllers



The Original Industrial Computer Source®



Chassis Plans · 10123 Carroll Canyon Rd · San Diego · CA · 92131
Phone (858) 571-4330 · Fax (858) 571-6146
saleseng@chassisplans.com
www.chassisplans.com
© 2010 Chassis Plans

Instantly set up a multi-monitor display by simply unlatching and flipping out the two wing displays to get three 17-inch high performance LCDs in one unit. Utilizing the same design features as our popular MP3X17 Multi Monitor Portable Computer, the 3View To Go system transforms from a briefcase size device to three 17-inch LCDs in a matter of seconds. The displays can be opened to any angle up to 180 degrees (flat).

The 17-inch displays each offer 1280x1024 native resolution for an effective total size of 3840x1024. Each display is provided with its own set of controls.

Options provide for either three independent VGA input ports, three DVI-D ports, or a single VGA port operating all three displays. The single VGA input model uses a Matrox Triple Head To Go video combiner to control the three LCDs from the single input. The unit is powered from AC mains of 90 to 264VAC, 50/60 Hz.



The CPDT-3X17 is manufactured from light weight aluminum alloy and weighs only 25 pounds. It is built for portable use and all electrical components are selected for their inherent ruggedness and mounted to

enhance that. A padded handle on the top aids handling. The corners are provided with rubber corner pads to help protect against accidental bumps. A wheeled transit case is provided as standard equipment.

The unit is held closed by a single latch holding the left display closed. Simply lift up the latch, fold out the left display, then the right, plug into power, connect the video cables and the unit is ready for use. Adjustable feet on the bottom allow the unit to tip backwards for easier viewing when sitting on a desk or table.

The rear of the unit provides for a standard VESA mounting and a variety of options allow for the display to be easily pole or arm mounted to get it up off the work surface.

The system is convectively cooled without the use of fans so it contributes no noise to the work environment.

The 17-inch displays are high quality long life LCDs with a maximum native resolution of 1280x1024. All the displays are provided with a tempered glass overlay to protect the displays. Options are available for optically bonded glass filters with anti-reflective coatings and enhanced LCDs for use in high bright environments.

The systems ship with appropriate 6-foot long video cables and a 9-foot long power cable.



Features

Dimensions

15.5 x 14.9 x 5.9-inches (closed)
42.9 x 14.9 x 5.9-inches (open)
(H x W x D)

Construction

Aluminum alloy external chassis w/ rubber corners. Aluminum alloy inner frame.

Weight

25lbs (typical system)

LCD Displays

3x 17-inch SXGA 1280x1024 w/ 300-nit brightness, 500:1 contrast, 5ms response, 3840x1024 effective total resolution, tempered glass overlays
Inputs: 3x VGA, 3x DVI-D or single VGA for all three displays (uses Matrox Triple Head To Go)

Cooling

Convectively cooled. No fans to contribute to ambient noise

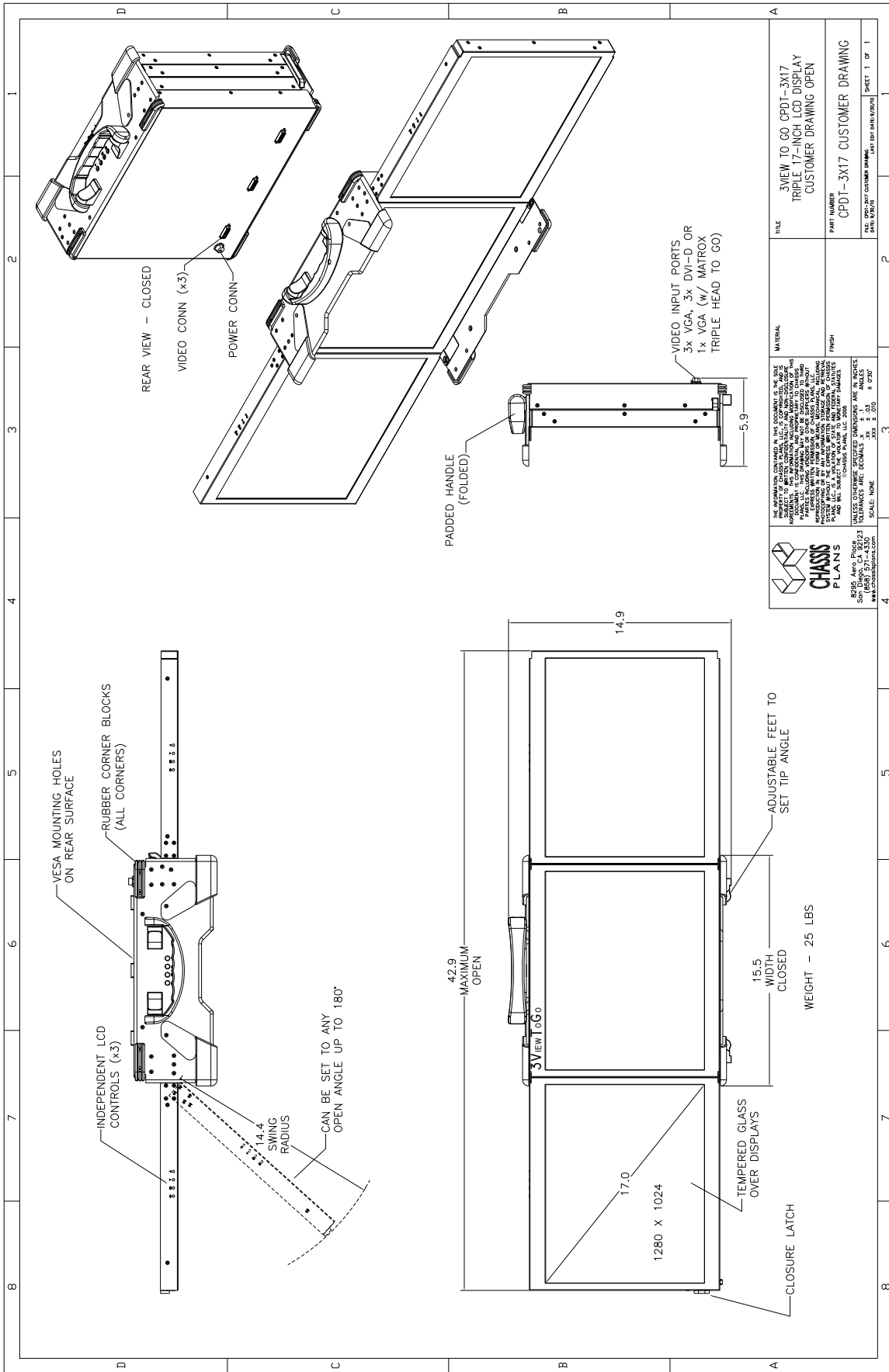
Environmental

Operating
Temp—0 to 50°C
Max Altitude—12,000 feet
Relative Humidity—10-90% NC
Shock—15G
Vibration—1.25G@10-100Hz

Storage
Temp—-20 to 60°C
Max Altitude—40,000 feet
Relative Humidity—5-95% NC

Compliance—CE, FCC Class A





<p>ALL INFORMATION CONTAINED IN THIS DOCUMENT IS THE SOLE PROPERTY OF CHASSIS PLANS. IT IS TO BE USED ONLY FOR THE PROJECT AND NOT BE REPRODUCED OR TRANSMITTED IN ANY FORM OR BY ANY MEANS, ELECTRONIC OR MECHANICAL, INCLUDING PHOTOCOPYING, RECORDING, OR BY ANY INFORMATION STORAGE AND RETRIEVAL SYSTEM. CHASSIS PLANS SHALL NOT BE RESPONSIBLE FOR ANY DAMAGES, INCLUDING CONSEQUENTIAL DAMAGES, ARISING FROM THE USE OF THIS DOCUMENT. CHASSIS PLANS AND ALL ORIGINALLY CREATED CONTENT ARE TRADE SECRETS AND WILL BE PROTECTED BY APPLICABLE LAWS.</p>	
<p>UNLESS OTHERWISE SPECIFIED, DIMENSIONS ARE IN INCHES. TOLERANCES ARE DECIMALS: X .1 X .1 ANGLES .5 DDF</p>	
<p>SCALE: NONE</p>	
<p>8295 Aero Plaza San Diego, CA 92123 951-441-1111 WWW.CHASSISPLANS.COM</p>	
<p>CHASSIS PLANS</p>	
<p>TITLE: 3VIEW TO GO CPDT-3X17 TRIPLE 17-INCH LCD DISPLAY CUSTOMER DRAWING OPEN</p>	
<p>PART NUMBER: CPDT-3X17 CUSTOMER DRAWING</p>	
<p>DATE: 09/20/09</p>	
<p>SCALE: 1:1</p>	
<p>SHEET 1 OF 1</p>	



The Original Industrial Computer Source®