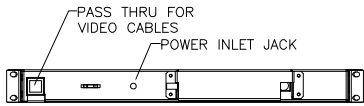
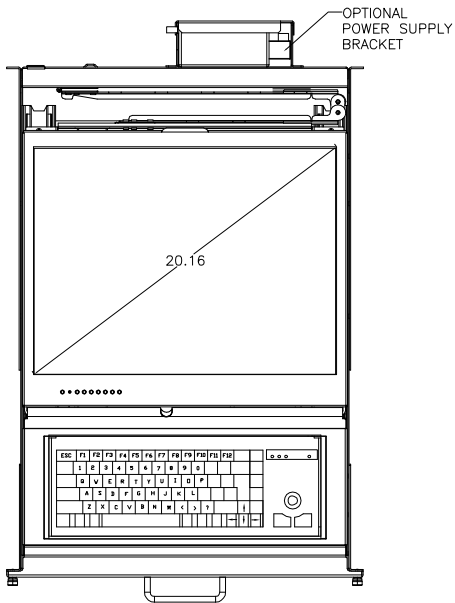


TYPICAL KVM BACK

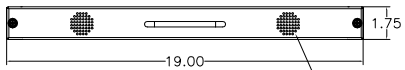


PASS THRU FOR VIDEO CABLES
POWER INLET JACK



OPTIONAL POWER SUPPLY BRACKET

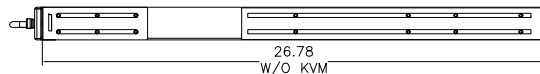
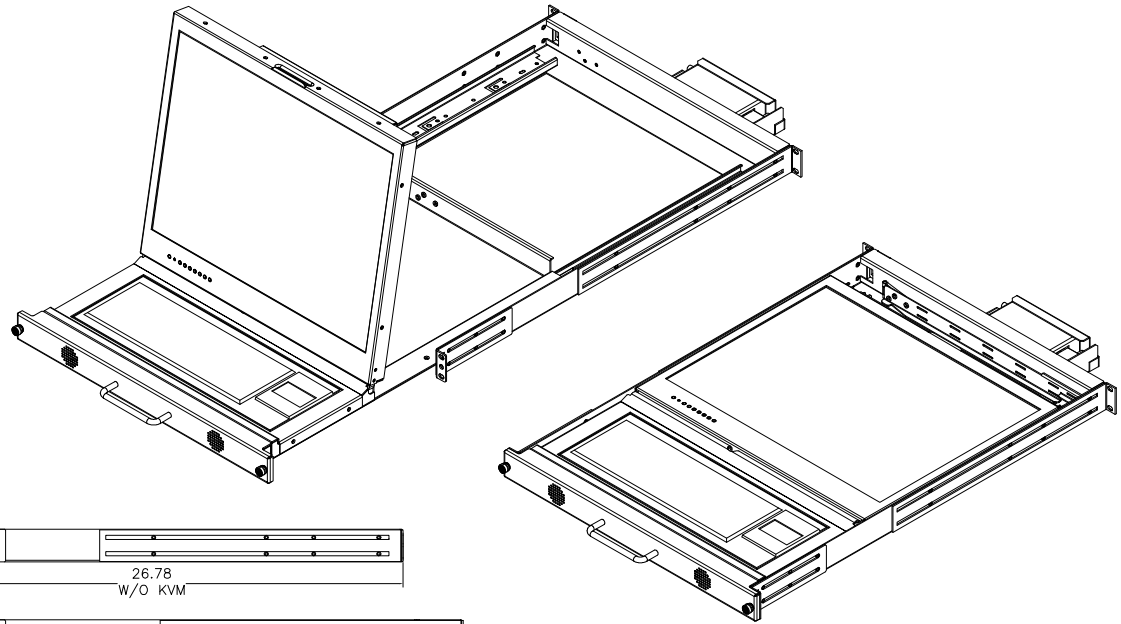
20.16



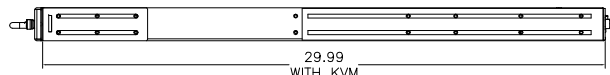
OPTIONAL FRONT PANEL SPEAKERS

19.00

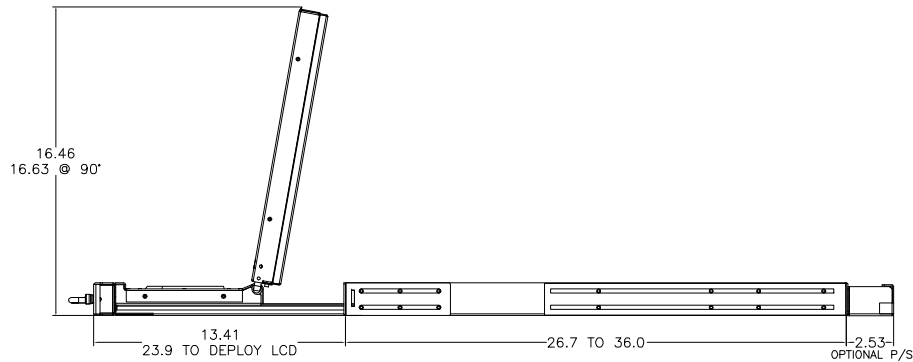
1.75



26.78
W/O KVM



29.99
WITH KVM




16.46
16.63 @ 90°

13.41
23.9 TO DEPLOY LCD

26.7 TO 36.0

2.53
OPTIONAL P/S BRACKET

 <p>8295 Aero Plaza San Diego, CA 92123 (858) 571-4330 www.chassisplans.com</p>	<p>THE INFORMATION CONTAINED IN THIS DOCUMENT IS THE SOLE PROPERTY OF CHASSIS PLANS, LLC. IS COPYRIGHTED, AND IS SUBJECT TO WRITTEN CONFIDENTIALITY AND NON-DISCLOSURE AGREEMENTS. THIS INFORMATION INCLUDING MODIFICATION OF THIS DOCUMENT IS CONFIDENTIAL AND PROPRIETARY TO CHASSIS PLANS, LLC. THIS DRAWING MAY NOT BE DISCLOSED TO THIRD PARTIES INCLUDING VENDORS OR OTHER SUPPLIERS WITHOUT EXPRESS WRITTEN PERMISSION OF CHASSIS PLANS, LLC. REPRODUCTION IN ANY FORM OR BY ANY MEANS, INCLUDING PHOTOCOPIING OR BY ANY INFORMATION STORAGE AND RETRIEVAL SYSTEM WITHOUT THE EXPRESS WRITTEN PERMISSION OF CHASSIS PLANS, LLC. IS A VIOLATION OF STATE AND FEDERAL STATUTES AND WILL SUBJECT THE VIOLATOR TO MONETARY DAMAGES. © CHASSIS PLANS, LLC. 2005</p>	MATERIAL	TITLE
	<p>UNLESS OTHERWISE SPECIFIED DIMENSIONS ARE IN INCHES. TOLERANCES: ARE: DECIMALS .X ± .1 ANGLES SCALE: NONE .XX ± .03 ± 0°30' .XXX ± .010</p>	FINISH	<p>CPR-27201 20.1" RACKMOUNT LCD/KEYBOARD CUSTOMER DRAWING</p>
		<p>PART NUMBER</p> <p>CPR-27201 CUSTOMER DWG</p>	<p>FILE: CPR-27201 CUSTOMER DRAWING DATE: 7/15/07</p>
			<p>LAST EDIT DATE: 7/15/07</p>
			<p>SHEET 1 OF 1</p>