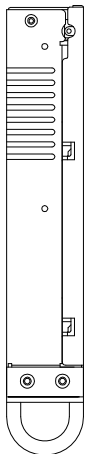
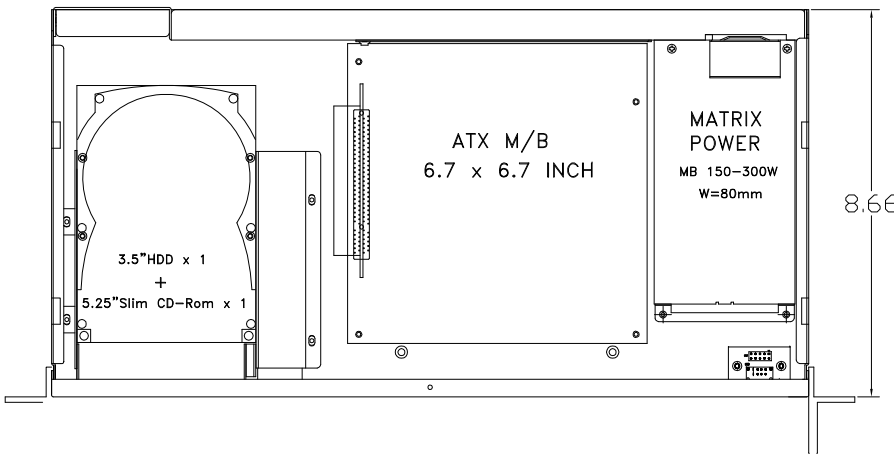


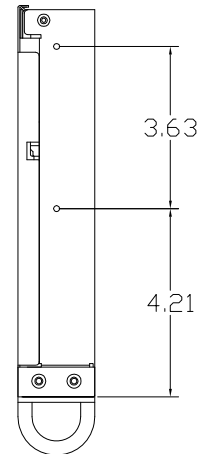
Rear View



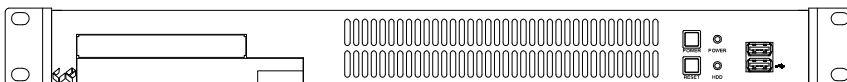
Left View



Top View



Right View



Front View

CHASSIS PLANS
8295 Aero Place
Suite 200
San Diego, CA 92123
(858) 571-4330
www.chassisplans.com

THE INFORMATION CONTAINED IN THIS DOCUMENT IS THE SOLE PROPERTY OF CHASSIS PLANS, LLC. IS COPYRIGHTED, AND IS SUBJECT TO WRITTEN CONFIDENTIALITY AND NON-DISCLOSURE AGREEMENTS. THIS INFORMATION INCLUDING MODIFICATION OF THIS DOCUMENT IS CONFIDENTIAL AND PROPRIETARY TO CHASSIS PLANS, LLC. THIS DRAWING MAY NOT BE DISCLOSED TO THIRD PARTIES INCLUDING VENDORS OR OTHER SUPPLIERS WITHOUT EXPRESS WRITTEN PERMISSION OF CHASSIS PLANS, LLC. REPRODUCTION IN ANY FORM OR MEANS, MECHANICAL, INCLUDING PHOTOCOPIING OR BY ANY INFORMATION STORAGE AND RETRIEVAL SYSTEM WITHOUT THE EXPRESS WRITTEN PERMISSION OF CHASSIS PLANS, LLC IS A VIOLATION OF STATE AND FEDERAL STATUTES AND WILL SUBJECT THE VIOLATOR TO MONETARY DAMAGES.
© CHASSIS PLANS, LLC. 2004

UNLESS OTHERWISE SPECIFIED DIMENSIONS ARE IN INCHES.
TOLERANCES ARE: DECIMALS .X ± .1 ANGLES
.XX ± .03 ± 0'30"
.XXX ± .010

MATERIAL

FINISH

TITLE
F10 SERIES CHASSIS
1U 6.7" x 6.7" MOTHERBOARD
CUSTOMER DRAWING

PART NUMBER
F10 CUSTOMER DRAWING

FILE: F10 CUSTOMER DRAWING
DATE: 1/21/2005

SHEET 1 OF 1