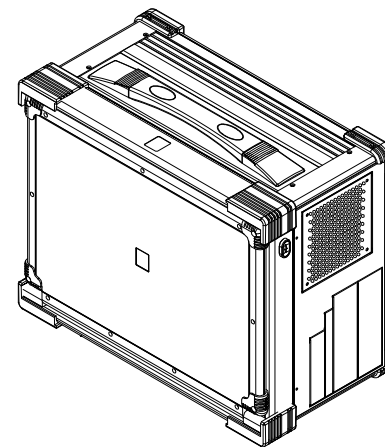
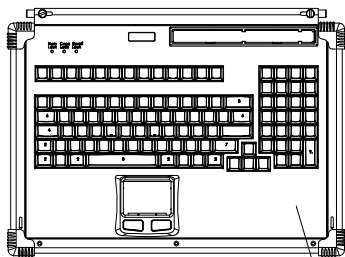
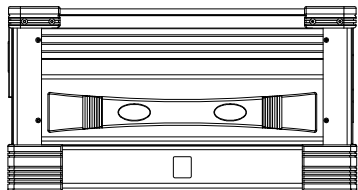


8 7 6 5 4 3 2 1

D

D



7x ADD-IN  
CARD SLOTS

9.00

17.06

108 key keyboard  
w/ touchpad

15.08  
14.06

17.09

120MM COOLING FANS

ATX MOTHERBOARD  
I/O AREA  
PS/2 POWER SUPPLY

17" TFT LCD  
1280X1024

FLIP DOWN FEET

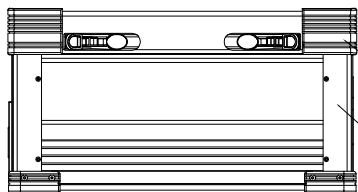
2X 5-1/4" DRIVE BAYS  
1X SLIM DVD  
1X 3-1/2" DRIVE BAY

C

C

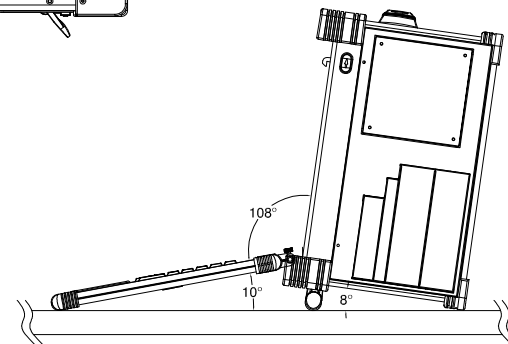
B

B



PROTECTIVE RUBBER  
CORNER BUMPERS


ALUMINUM CONSTRUCTION



A

A

8 7 6 5 4 3 2 1

 <p>8295 Aero Plaza San Diego, CA 92123 (858) 571-4330 www.chassisplans.com</p>	<p>THE INFORMATION CONTAINED IN THIS DOCUMENT IS THE SOLE PROPERTY OF CHASSIS PLANS, LLC. IS COPYRIGHTED, AND IS SUBJECT TO WRITTEN CONFIDENTIALITY AND NON-DISCLOSURE AGREEMENTS. THIS INFORMATION INCLUDING MODIFICATION OF THIS DOCUMENT IS CONFIDENTIAL AND PROPRIETARY TO CHASSIS PLANS, LLC. THIS DRAWING MAY NOT BE DISCLOSED TO THIRD PARTIES INCLUDING VENDORS OR OTHER SUPPLIERS WITHOUT EXPRESS WRITTEN PERMISSION OF CHASSIS PLANS, LLC. REPRODUCTION OR BY ANY INFORMATION STORAGE AND RETRIEVAL SYSTEM WITHOUT THE EXPRESS WRITTEN PERMISSION OF CHASSIS PLANS, LLC. IS A VIOLATION OF STATE AND FEDERAL STATUTES AND WILL SUBJECT THE VIOLATOR TO MONETARY DAMAGES. © CHASSIS PLANS, LLC. 2005</p>	MATERIAL	TITLE	
	<p>UNLESS OTHERWISE SPECIFIED DIMENSIONS ARE IN INCHES. TOLERANCES: ARE: DECIMALS .X ± .1 ANGLES SCALE: NONE .XX ± .03 ± 0°30' .XXX ± .010</p>	FINISH	<p>MP1X17A PORTABLE COMPUTER SINGLE 17" LCD ATX SYSTEM CUSTOMER DRAWING</p>	<p>PART NUMBER MP1X17A_CUSTOMER_DRAWING</p>
		<p>FILE: MP1X17A_CUSTOMER_DRAWING DATE: 1/8/09</p>	<p>LAST EDIT DATE: 1/8/09</p>	<p>SHEET 1 OF 1</p>