

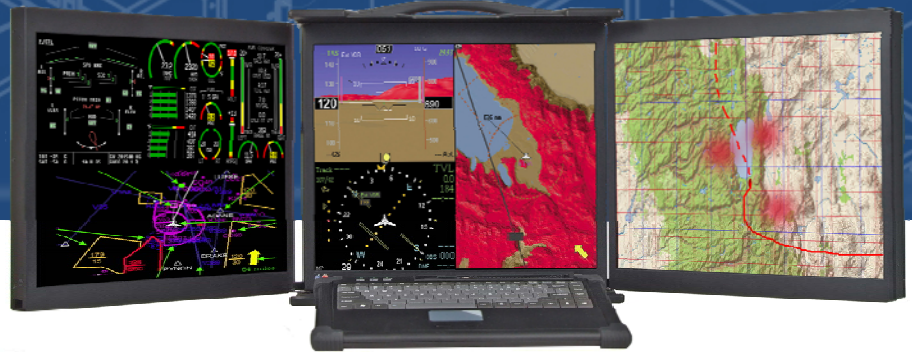
MP3X17-iX38

High Performance Configured
Portable Computer System

Supports Core 2 Duo & Quad
Processors

SYSTEMS ENGINEERED TO PERFORM®

RUGGED ENTERPRISE CLASS



The MP3X17-iX38 Rugged Enterprise class portable computer high performance system supporting LGA 775 Core 2 processors (Extreme, Duo, Quad) is designed to meet the needs of Mission Critical Applications, providing configurations that are truly Fit-for-Use in a variety of operating environments and with a wide range of options to serve the most demanding requirements.

Features

- ◆ Three 17-inch SXGA 1280x1024 LCD display
- ◆ Anti-glare hard coat to protect LCDs
- ◆ Core 2 Extreme, Quad, Duo processor options (LGA775)
- ◆ Intel X38 + ICH9R Chipset
- ◆ Front Side Bus of 1333/1066/800MHz
- ◆ Up to 8GB DDR3 1333/1066/800MHz memory
- ◆ EVGA GeForce GTX4xx Video w/ Matrox 3-in-1 splitter
- ◆ Up to 6TB SATA hard drives w/ Raid 0/1/5/10
- ◆ Slim line DVD+-R/RW/DL/RAM
- ◆ 7 Plug-in card slots (2 x16 & 1 x1 PCIe, 2 x 64-bit PCI-X, 2x 32-bit PCI)
- ◆ Rugged aluminum alloy construction
- ◆ Rubber corner bumpers to protect against shock
- ◆ Three hot swap SATA drive carriers
- ◆ Detachable 87-key keyboard w/ touch pad
- ◆ Various power options including AC, DC, redundant

Support

- ◆ All Products Carry a One Year Limited Warranty
- ◆ Alternative Processors, Drives and Power Supplies

GSA

- ◆ Available under GSC Schedule GS-35F-0357V
Component Sourcing Group, an 8(a) company



Schedule
Contract number GS-35F-0357V



Chassis Plans · 10123 Carroll Canyon Road · San Diego · CA · 92131
Phone (858) 571-4330 · Fax (858) 571-6146
saleseng@chassisplans.com
www.chassisplans.com
© 2010 Chassis Plans



SYSTEMS
Systems Engineered to Perform®

The MP3X17 Rugged Enterprise Series portable computing platform provides a rugged, versatile architecture for Military/Defense, Industrial, Medical, Security and Telecommunication applications. The MP3X17 portable computer system is unique in offering three 17" 1280x1024 resolution LCD displays in a portable computer. Effective viewing area is 3840x1024. The MP3X17 offers systems with the flexibility needed for a wide variety of uses, while using standard, off-the-shelf technologies to create solutions that are both cost-effective, State-of-the-Art in their performance and offering long product availability.

The displays are operated by an EVGA GeForce GTX4xx family high performance GPU. The LCD displays offer 300nit brightness, 800:1 contrast and 5ms response. The LCD's are provided with an anti-glare hard coat for display enhancement and protection. A touch screen can be optionally fitted to any or all of the screens. Optional enhancement filters can be provided for improved viewing.



A touch screen can be optionally fitted to any or all of the screens. Optional enhancement filters can be provided for improved viewing.

Constructed with heavy duty aluminum alloy, the MP3X17 is a robust system providing tough, go-anywhere functionality for demanding applications. The three LCD's fold forward over the front and the included keyboard attaches to the outside front for a single-piece unit to transport. A padded, wheeled transit case is provided that can survive airline handling.

Current deployment includes F22 and F35 systems testing on the flight line.

The system provides an X38 based motherboard supporting Core 2 Extreme, Duo and Quad processors in an LGA775 package. Seven plug-in card slots provide two x16 and one x1 PCIE, two 64-bit PCI-X and two 32-bit PCI slots. The I/O boards are all externally accessible for easy access to their connectors.

Three hot-swap SATA drive bays are included on the right side supporting up to 6TB of storage. The installed iX38 motherboard supports RAID 0/1/5. A slim line DVDRW is provided on the right side. No floppy drive is included though the easy accessibility to the motherboard USB ports allows the simple use of an external drive.

Power is provided by a PS/2 supply with options for AC, DC and redundant inputs.



Features

Dimensions

14.3 x 15.5 x 11.5-inches
(H x W x D)

Construction

Aluminum alloy external chassis w/ rubber corners. Aluminum alloy inner frame.

Weight

49.6lbs (typical system)

LCD Displays

3x 17-inch SXGA 1280x1024 w/ 300-nit brightness, 800:1 contrast, 5ms response, 3840x1024 effective total resolution, anti-glare hard coat

Drives

3x Hot swap SATA drive carriers for 3-1/2" drives, up to 6TB total Slim dual layer DVD-RW

Motherboard

iX38 w/ X38 + ICH9R chipset Performance Tailored Custom BIOS

Power Supply

PS/2 w/ AC, DC, redundant options

Cooling Fans

Two 120mm external fans
Two 60mm internal fans

Keyboard

87-key compact form w/ integrated touch pad

Environmental

Operating Temp—0 to 50°C
Relative Humidity—5-95% NC
Shock—15G
Vibration—1.25G@10-100Hz
Compliance—CE, FCC Class B, CCC, UL
(base system)

Motherboard



Form Factor	ATX (9.6 x 12-inch)
Microprocessor	Core 2 Extreme, Duo, Quad
Chipset	Intel X38 + ICH9R + PXH/V
Front Side Bus	1333/1066/800MHz
System Bus (Slots)	Two x16 and one x1 PCIe Two 32-bit 33MHz PCI Two 64-bit 100MHz PCI-X 3.3V
On Board I/O	Six SATA-II ports (3Gbps) One EIDE for two drives One 10/100/1000 Ethernet RJ45 Twelve USB 2.0 (six rear mounted, six on-board) High Def 7.1 Channel Audio On-board VGA connector Four Serial ports (2 rear panel) One Parallel port Two 1394 Firewire headers
Memory	Four DIMM sockets supporting up to 8GB DDR3 1333/800/667 memory
Industrial Devices	Hardware Monitoring including fans, CPU temperature and volt-ages
Bios	AMI w/ 16Mb SPI Flash EEPROM

Video

Model	EVGA GeForce GTX4xx family
Ports	Two DVI-D + mini HDMI
Resolution	3840x1024 (1280 x 1024 per screen)
Memory	Up to 1536MB 3800MHz effective
Interface	Matrox 3-in-1 digital video splitter
Architecture	3 rd Generation w/ up to 480 cores
Features	DirectX 11 support, CUDA technology, PCI Express 2.0 support, NVIDIA PhysX & PureVideo HD technology, OpenGL 3.2 support, Windows XP, Vista, 7 support

Drives

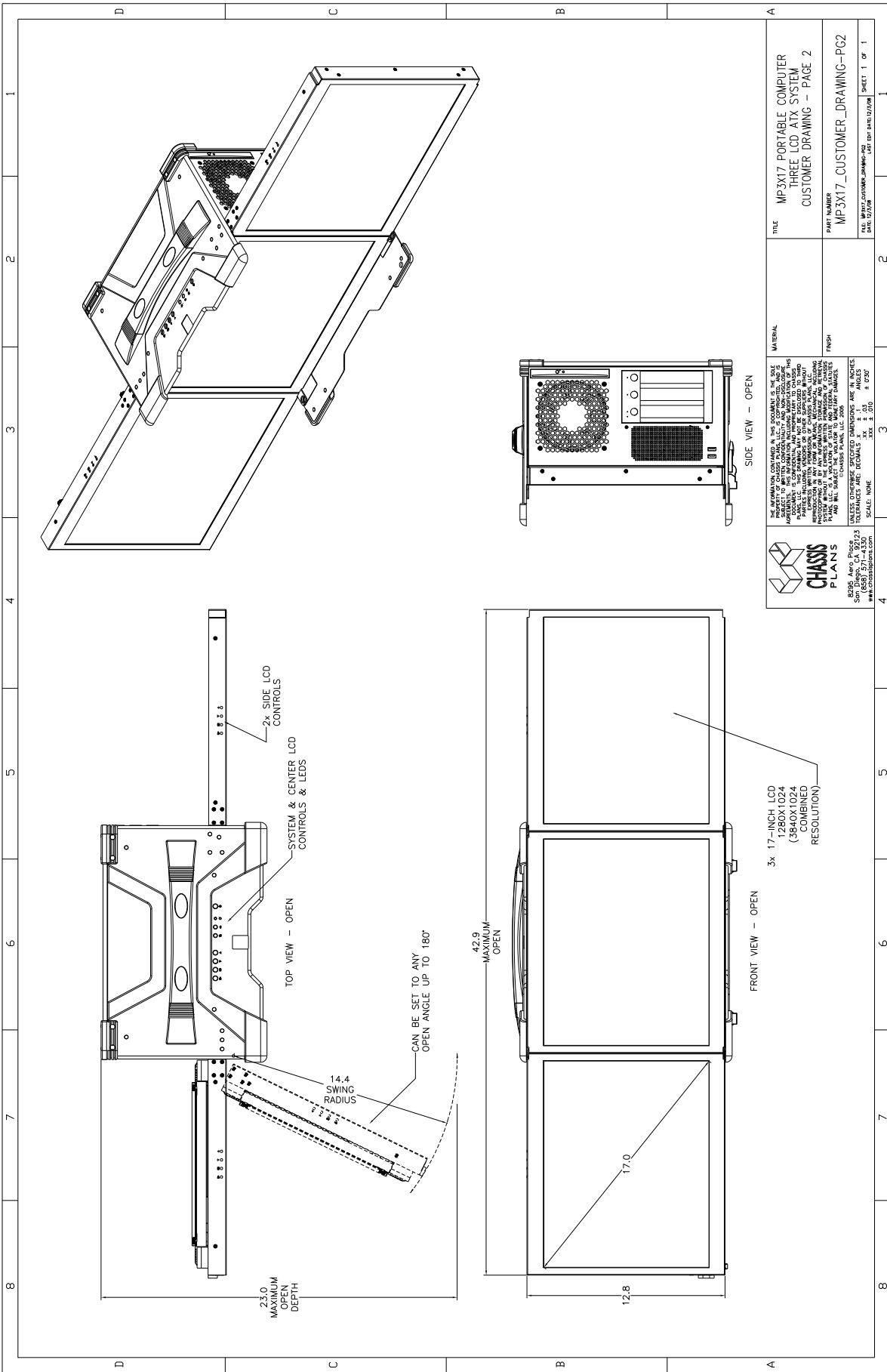
Hard Drives	
Form Factor	3.5-inch Enterprise Class
Standard Capacities	500GB thru 2TB
Number Available	One to three, Removable
Interface	SATA-II 3GB/s, RAID 0/1/5/10
Spindle Speed	7200
Cache	16/32MB Cache Options
DVD/RW	
Type	DVD±RW (±R DL) / DVD-RAM Double Layer, 8.5GB
Device Size	Slim form factor
Read Speed	24x (CD) / 8x (DVD)
Write Speed	24x (CD) / 8x (DVD±R) / 6x (DVD± DL)

Power Supply

Fixed	
Form Factor	PS/2
Input	100-250VAC 50/60Hz
Outputs	1000W @ 80% Efficiency 3.3V@18A, 5V@18A, 12V@69A total, -12V@.8A, 5Vsb@2.5A
Redundant	
Form Factor	PS/2 Mini Redundant, 2 Modules
Input	90-264VAC, 50/60Hz
Outputs	600W 3.3V@28A, 5V@28A, 12V@45A, -12V@1A, -5V@.8A, 5Vsb@2.5A

Specifications

Temperature	
Operating Storage	5° to 50° C (40° to 122° F) -40° to 70° C (-40° to 144° F)
Humidity	5% to 95% RHNC @ 40° C
Shock	15g, 11ms
Vibration	1g, 10-500Hz



8296 Aero Plus
Sheet 1 of 1
(858) 571-4350
www.chassisplans.com

THE INFORMATION CONTAINED IN THIS DOCUMENT IS THE SOLE PROPERTY OF CHASSIS PLANS, LLC. IT IS TO BE USED ONLY FOR THE PROJECT AND NOT BE REPRODUCED OR TRANSMITTED IN ANY FORM OR BY ANY MEANS, ELECTRONIC OR MECHANICAL, INCLUDING PHOTOCOPYING, RECORDING, OR BY ANY INFORMATION STORAGE AND RETRIEVAL SYSTEM. CHASSIS PLANS, LLC AND ALL SUBSIDIARIES SHALL BE LIABLE FOR ANY DAMAGES AND ALL SUBSIDIARIES SHALL BE LIABLE FOR ANY DAMAGES.

UNLESS OTHERWISE SPECIFIED DIMENSIONS ARE IN INCHES
TOLERANCES ARE: DECIMALS .XX ± .01 ± .005
FRACTIONS 1/16 ± .005
SCALE: NONE

MATERIAL FINISH

PART NUMBER MP3X17_CUSTOMER_DRAWING-PC2

TITLE MP3X17 PORTABLE COMPUTER THREE LCD ATX SYSTEM CUSTOMER DRAWING - PAGE 2

FILE MP3X17_CUSTOMER_DRAWING-PC2

DATE 12/28/08

DESIGNER FOR PARTS LIST

SHEET 1 OF 1

SIDE VIEW - OPEN

FRONT VIEW - OPEN

2x SIDE LCD CONTROLS

SYSTEM & CENTER LCD CONTROLS & LEDS

TOP VIEW - OPEN

CAN BE SET TO ANY OPEN ANGLE UP TO 180°

14.4 SWING RADIUS

23.0 MAXIMUM OPEN DEPTH

42.9 MAXIMUM OPEN

3x 17-INCH LCD (1280X1024 (3840X1024 COMBINED RESOLUTION))

17.0

12.8

1 2 3 4 5 6 7 8

D C B A