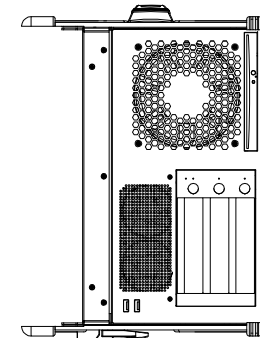
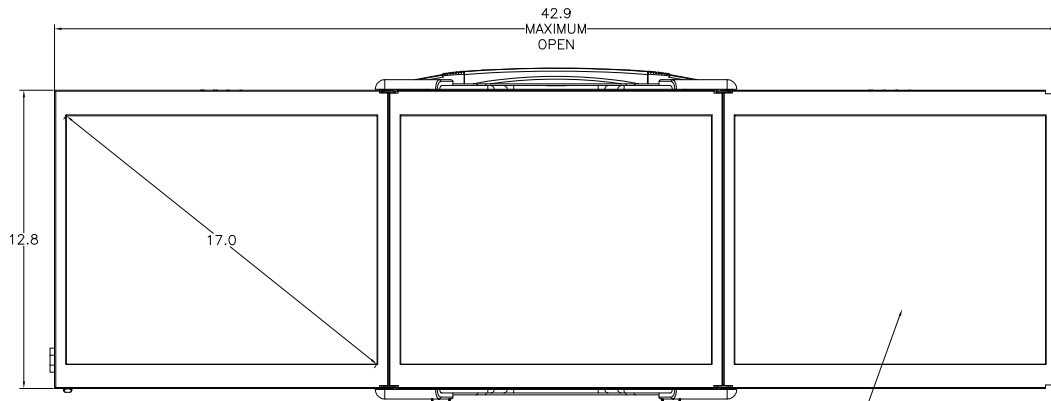
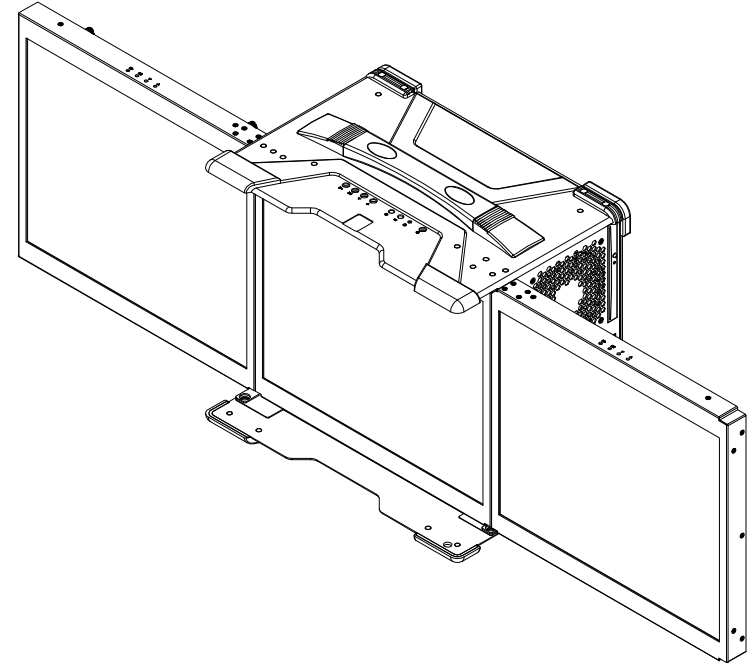
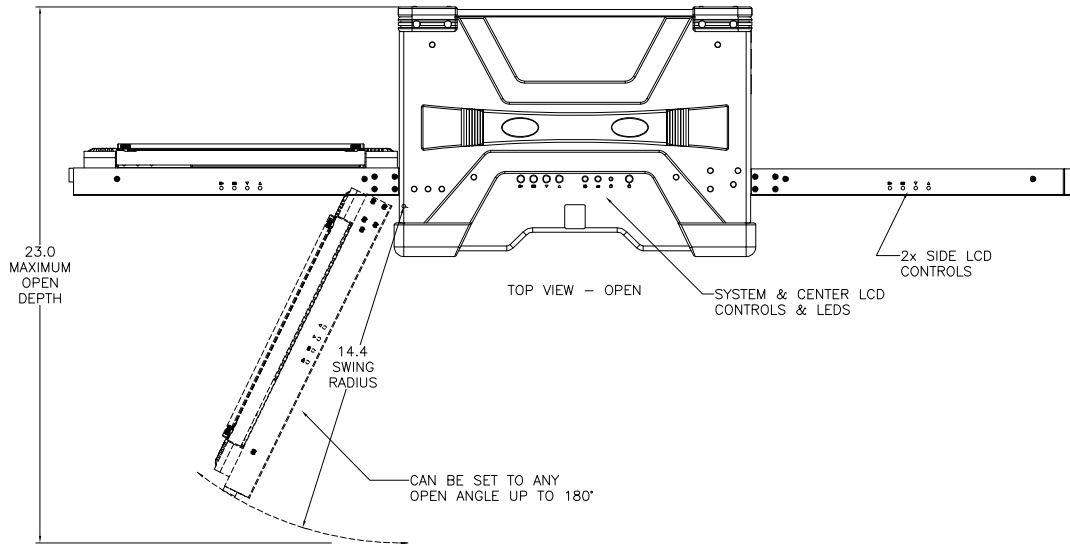
 <p>8295 Aero Plaza San Diego, CA 92123 (858) 571-4330 www.chassisplans.com</p>	<p>THE INFORMATION CONTAINED IN THIS DOCUMENT IS THE SOLE PROPERTY OF CHASSIS PLANS, LLC. IS COPYRIGHTED, AND IS SUBJECT TO WRITTEN CONFIDENTIALITY AND NON-DISCLOSURE AGREEMENTS. THIS INFORMATION INCLUDING MODIFICATION OF THIS DOCUMENT IS CONFIDENTIAL AND PROPRIETARY TO CHASSIS PLANS, LLC. THIS DRAWING MAY NOT BE DISCLOSED TO THIRD PARTIES INCLUDING VENDORS OR OTHER SUPPLIERS WITHOUT EXPRESS WRITTEN PERMISSION OF CHASSIS PLANS, LLC. REPRODUCTION IN ANY FORM OR MEANS, MECHANICAL, INCLUDING PHOTOCOPIING OR BY ANY INFORMATION STORAGE AND RETRIEVAL SYSTEM WITHOUT THE EXPRESS WRITTEN PERMISSION OF CHASSIS PLANS, LLC. IS A VIOLATION OF STATE AND FEDERAL STATUTES AND WILL SUBJECT THE VIOLATOR TO MONETARY DAMAGES. © CHASSIS PLANS, LLC. 2005</p>	MATERIAL	<p>TITLE MP3X17 PORTABLE COMPUTER THREE LCD ATX SYSTEM CUSTOMER DRAWING</p>	
	<p>UNLESS OTHERWISE SPECIFIED DIMENSIONS ARE IN INCHES. TOLERANCES: ARE: DECIMALS .X ± .1 ANGLES SCALE: NONE .XX ± .03 ± 0°30' .XXX ± .010</p>	FINISH	<p>PART NUMBER MP3X17_CUSTOMER_DRAWING</p>	
		<p>FILE: MP3X17_CUSTOMER_DRAWING DATE: 12/7/08</p>		<p>SHEET 1 OF 1</p>



3x 17-INCH LCD
1280X1024
(3840X1024
COMBINED
RESOLUTION)



8295 Aero Plaza
San Diego, CA 92123
(858) 571-4330
www.chassisplans.com

THE INFORMATION CONTAINED IN THIS DOCUMENT IS THE SOLE PROPERTY OF CHASSIS PLANS, LLC. IT IS COPYRIGHTED, AND IS SUBJECT TO WRITTEN CONFIDENTIALITY AND NON-DISCLOSURE AGREEMENTS. THIS INFORMATION INCLUDING MODIFICATION OF THIS DOCUMENT IS CONFIDENTIAL AND PROPRIETARY TO CHASSIS PLANS, LLC. THIS DRAWING MAY NOT BE DISCLOSED TO THIRD PARTIES INCLUDING VENDORS OR OTHER SUPPLIERS WITHOUT EXPRESS WRITTEN PERMISSION OF CHASSIS PLANS, LLC. REPRODUCTION IN ANY FORM OR BY ANY MEANS, MECHANICAL, INCLUDING PHOTOCOPIING OR BY ANY INFORMATION STORAGE AND RETRIEVAL SYSTEM WITHOUT THE EXPRESS WRITTEN PERMISSION OF CHASSIS PLANS, LLC, IS A VIOLATION OF STATE AND FEDERAL STATUTES AND WILL SUBJECT THE VIOLATOR TO MONETARY DAMAGES.
© CHASSIS PLANS, LLC. 2005

UNLESS OTHERWISE SPECIFIED DIMENSIONS ARE IN INCHES.
TOLERANCES: ARE: DECIMALS .X ± .1 ANGLES
SCALE: NONE .XX ± .03 ± 0°30'
.XXX ± .010

MATERIAL	TITLE
FINISH	MP3X17 PORTABLE COMPUTER THREE LCD ATX SYSTEM CUSTOMER DRAWING - PAGE 2
PART NUMBER MP3X17_CUSTOMER_DRAWING-PG2	
FILE: MP3017_CUSTOMER_DRAWING-PG2 DATE: 12/3/08	SHEET 1 OF 1 LAST EDIT DATE: 12/3/08