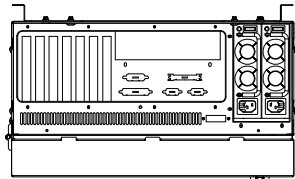
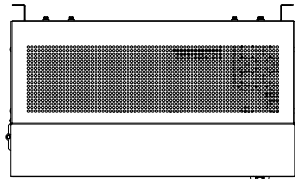


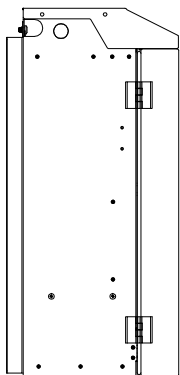
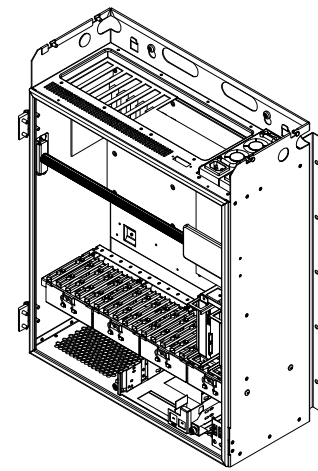
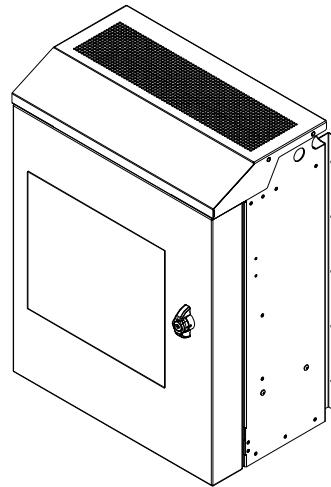
TOP INSIDE VIEW
ATX POWER



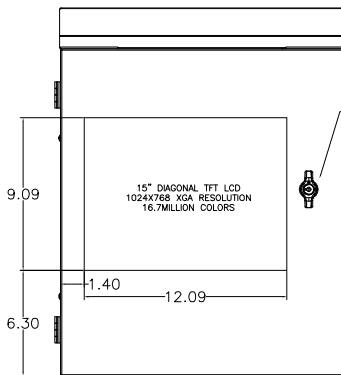
TOP INSIDE VIEW
REDUNDANT POWER



TOP VIEW
I/O COVER IN PLACE



LEFT SIDE VIEW



FRONT VIEW
DOOR CLOSED

CAM LATCH
LOCKABLE

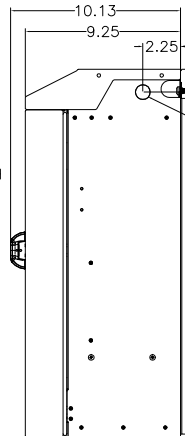
9.09

6.30

1.40

12.09

15" DIAGONAL TFT LCD
1024X768 XGA RESOLUTION
16.7MILLION COLORS



RIGHT SIDE VIEW

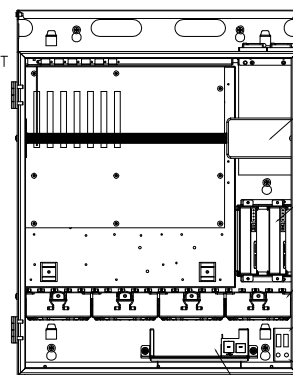
10.13

9.25

1.00

1.37

1/2" CONDUIT
KNOCKOUT
.87" DIA



FRONT INSIDE VIEW
DOOR REMOVED

CARD HOLD
DOWN BRACKET

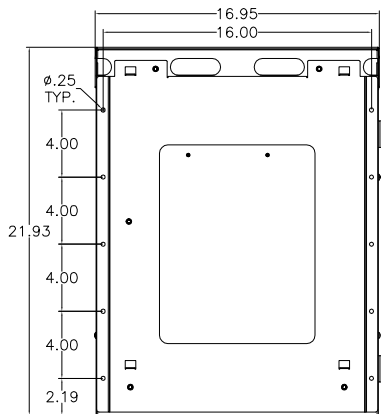
2* 3-1/2"
HARD DRIVES

4* 90MM 51CFM
HOT SWAP FANS

POWER & RESET
SWITCHES

POWER & DRIVE
LEDS

5-1/4" DRIVE TRAY
W/ SLIM FLOPPY/CD ADAPTER



BACK VIEW
WITH MOUNTING BRACKET INSTALLED

16.95

16.00

Ø.25
TYP.

4.00

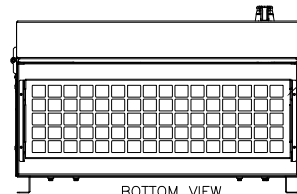
4.00

4.00

4.00

4.00

2.19



BOTTOM VIEW

EXTERNALLY ACCESSIBLE
AIR FILTER



THE INFORMATION CONTAINED IN THIS DOCUMENT IS THE SOLE PROPERTY OF CHASSIS PLANS, LLC. IT IS COPYRIGHTED, AND IS SUBJECT TO WRITTEN CONFIDENTIALITY AND NON-DISCLOSURE AGREEMENTS. THIS INFORMATION INCLUDING MODIFICATION OF THIS DOCUMENT IS CONFIDENTIAL AND PROPRIETARY TO CHASSIS PLANS, LLC. THIS DRAWING MAY NOT BE DISCLOSED TO THIRD PARTIES INCLUDING VENDORS OR OTHER SUPPLIERS WITHOUT EXPRESS WRITTEN PERMISSION OF CHASSIS PLANS, LLC. REPRODUCTION IN ANY FORM OR BY ANY MEANS, MECHANICAL, INCLUDING PHOTOCOPIING OR BY ANY INFORMATION STORAGE AND RETRIEVAL SYSTEM WITHOUT THE EXPRESS WRITTEN PERMISSION OF CHASSIS PLANS, LLC, IS A VIOLATION OF STATE AND FEDERAL STATUTES AND WILL SUBJECT THE VIOLATOR TO MONETARY DAMAGES.
© CHASSIS PLANS, LLC. 2005

UNLESS OTHERWISE SPECIFIED DIMENSIONS ARE IN INCHES.
TOLERANCES ARE: DECIMALS .X ± .1 ANGLES
SCALE: NONE .XX ± .03 ± 0°30' .XXX ± .010

MATERIAL	
FINISH	

TITLE	W5-XGA15 SERIES CHASSIS WALL MOUNT EATX W/ 15" XGA LCD CUSTOMER DRAWING
PART NUMBER	W5-XGA15_CUSTOMER_DRAWING
FILE: W5-XGA15_CUSTOMER_DRAWING DATE: 1/7/2006	LAST EDIT DATE: 1/7/2006
SHEET 1	OF 1