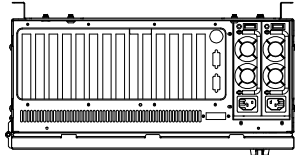
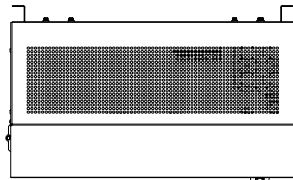


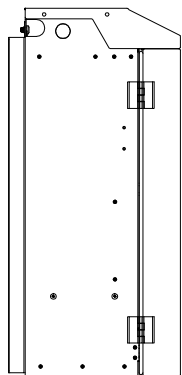
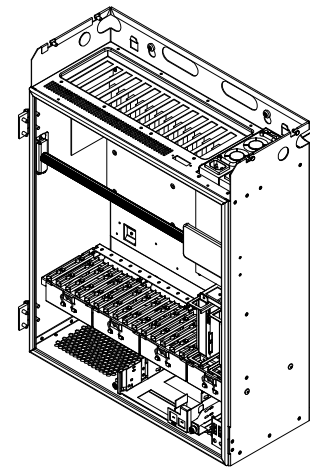
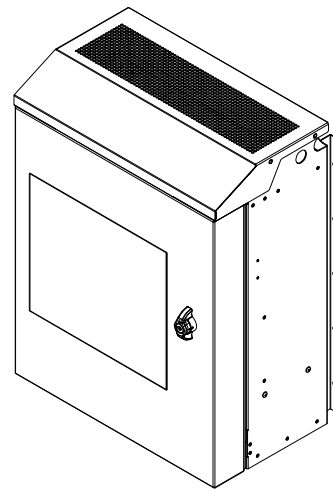
TOP INSIDE VIEW
ATX POWER



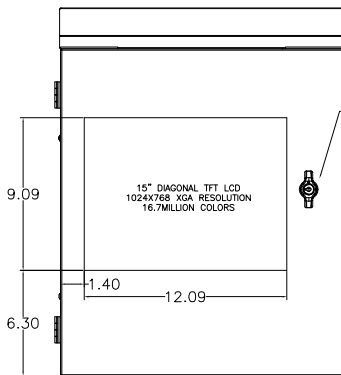
TOP INSIDE VIEW
REDUNDANT POWER



TOP VIEW
I/O COVER IN PLACE



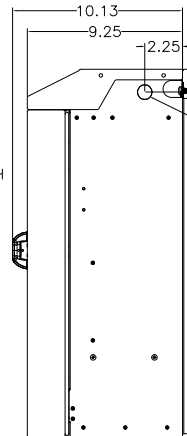
LEFT SIDE VIEW



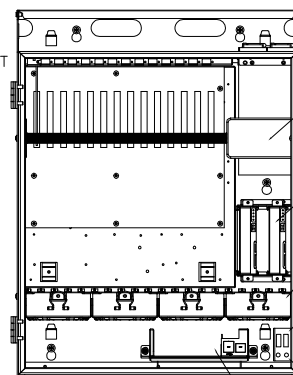
FRONT VIEW
DOOR CLOSED

15" DIAGONAL TFT LCD
1024X768 XGA RESOLUTION
16.7MILLION COLORS

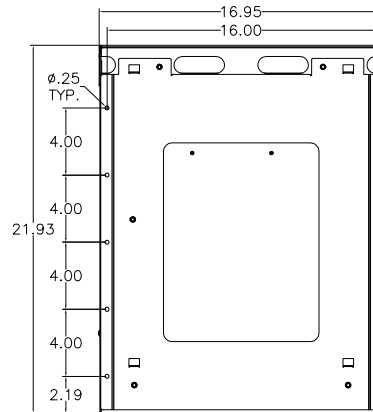
CAM LATCH
LOCKABLE



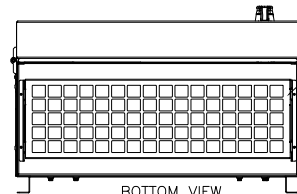
RIGHT SIDE VIEW



FRONT INSIDE VIEW
DOOR REMOVED



BACK VIEW
WITH MOUNTING BRACKET INSTALLED



BOTTOM VIEW

EXTERNALLY ACCESSIBLE
AIR FILTER



8295 Aero Plaza
San Diego, CA 92123
(858) 571-4330
www.chassisplans.com

THE INFORMATION CONTAINED IN THIS DOCUMENT IS THE SOLE PROPERTY OF CHASSIS PLANS, LLC. IS COPYRIGHTED, AND IS SUBJECT TO WRITTEN CONFIDENTIALITY AND NON-DISCLOSURE AGREEMENTS. THIS INFORMATION INCLUDING MODIFICATION OF THIS DOCUMENT IS CONFIDENTIAL AND PROPRIETARY TO CHASSIS PLANS, LLC. THIS DRAWING MAY NOT BE DISCLOSED TO THIRD PARTIES INCLUDING VENDORS OR OTHER SUPPLIERS WITHOUT EXPRESS WRITTEN PERMISSION OF CHASSIS PLANS, LLC. REPRODUCTION IN ANY FORM OR MEANS, MECHANICAL, INCLUDING PHOTOCOPIING OR BY ANY INFORMATION STORAGE AND RETRIEVAL SYSTEM WITHOUT THE EXPRESS WRITTEN PERMISSION OF CHASSIS PLANS, LLC, IS A VIOLATION OF STATE AND FEDERAL STATUTES AND WILL SUBJECT THE VIOLATOR TO MONETARY DAMAGES. © CHASSIS PLANS, LLC. 2005

UNLESS OTHERWISE SPECIFIED DIMENSIONS ARE IN INCHES.
TOLERANCES ARE: DECIMALS .X ± .1 ANGLES
SCALE: NONE .XX ± .03 ± 0°30' .XXX ± .010

MATERIAL	TITLE	FILE: W5000-XGA15_CUSTOMER_DRAWING	DATE: 1/8/07	SHEET 1 OF 1
FINISH	TITLE	W5000-XGA15 SERIES CHASSIS WALL MOUNT BACKPLANE W/ 15" XGA LCD CUSTOMER DRAWING		
	PART NUMBER	W5000-XGA15_CUSTOMER_DRAWING		