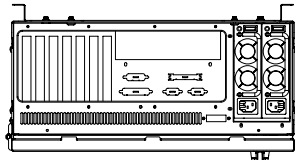
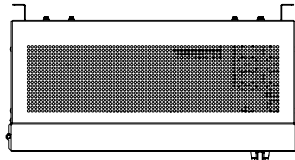


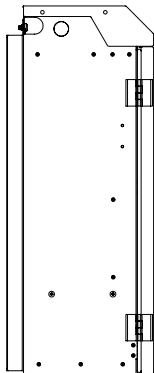
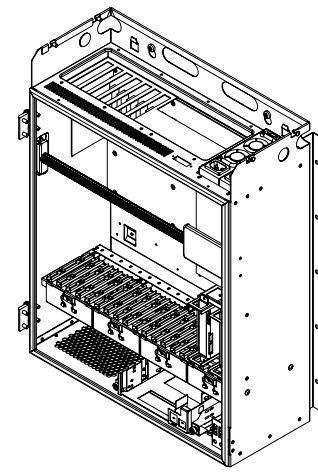
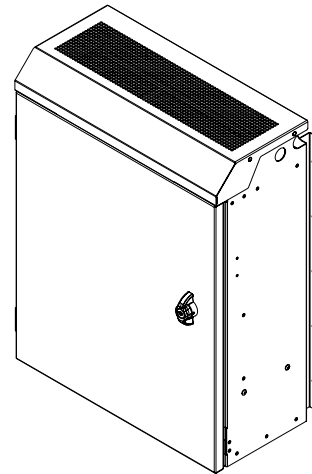
TOP INSIDE VIEW  
ATX POWER



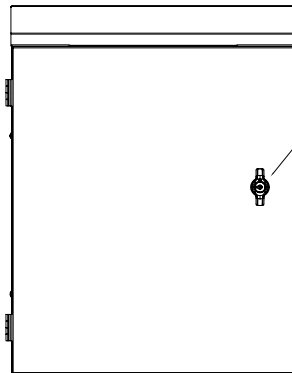
TOP INSIDE VIEW  
REDUNDANT POWER



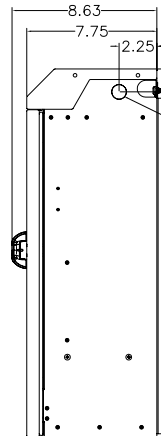
TOP VIEW  
I/O COVER IN PLACE



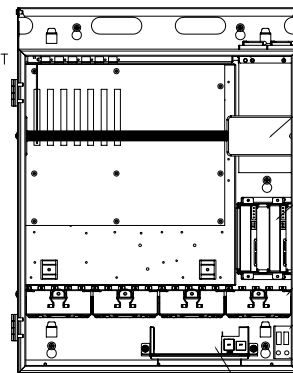
LEFT SIDE VIEW



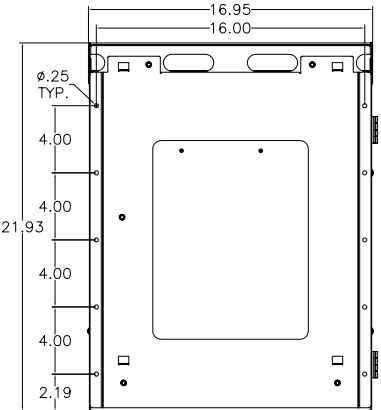
FRONT VIEW  
DOOR CLOSED



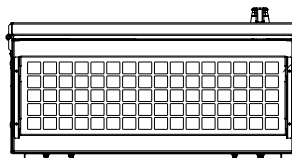
RIGHT SIDE VIEW



FRONT INSIDE VIEW  
DOOR REMOVED



BACK VIEW  
WITH MOUNTING BRACKET INSTALLED



BOTTOM VIEW

EXTERNALLY ACCESSIBLE  
AIR FILTER

CAM LATCH  
LOCKABLE

1/2" CONDUIT  
KNOCKOUT  
.87" DIA

CARD HOLD  
DOWN BRACKET

2\* 3-1/2"  
HARD DRIVES

4\* 90MM 51CFM  
HOT SWAP FANS

POWER & RESET  
SWITCHES

POWER & DRIVE  
LEDS

5-1/4" DRIVE TRAY  
W/ SLIM FLOPPY/CD ADAPTER



THE INFORMATION CONTAINED IN THIS DOCUMENT IS THE SOLE PROPERTY OF CHASSIS PLANS, LLC. IS COPYRIGHTED, AND IS SUBJECT TO WRITTEN CONFIDENTIALITY AND NON-DISCLOSURE AGREEMENTS. THIS INFORMATION INCLUDING MODIFICATION OF THIS DOCUMENT IS CONFIDENTIAL AND PROPRIETARY TO CHASSIS PLANS, LLC. THIS DRAWING MAY NOT BE DISCLOSED TO THIRD PARTIES INCLUDING VENDORS OR OTHER SUPPLIERS WITHOUT EXPRESS WRITTEN PERMISSION OF CHASSIS PLANS, LLC. REPRODUCTION IN ANY FORM OR BY ANY MEANS, MECHANICAL, INCLUDING PHOTOCOPIING OR BY ANY INFORMATION STORAGE AND RETRIEVAL SYSTEM WITHOUT THE EXPRESS WRITTEN PERMISSION OF CHASSIS PLANS, LLC. IS A VIOLATION OF STATE AND FEDERAL STATUTES AND WILL SUBJECT THE VIOLATOR TO MONETARY DAMAGES.  
©CHASSIS PLANS, LLC. 2005

UNLESS OTHERWISE SPECIFIED DIMENSIONS ARE IN INCHES.  
TOLERANCES ARE: DECIMALS .X ± .1 ANGLES  
SCALE: NONE .XX ± .03 ± 0'30"  
.XXX ± .010

MATERIAL	
FINISH	

TITLE	W5 SERIES CHASSIS WALL MOUNT EATX CUSTOMER DRAWING
PART NUMBER	W5_CUSTOMER_DRAWING
FILE: W5_CUSTOMER_DRAWING DATE: 1/12/06	LAST EDIT DATE: 1/12/06
	SHEET 1 OF 1