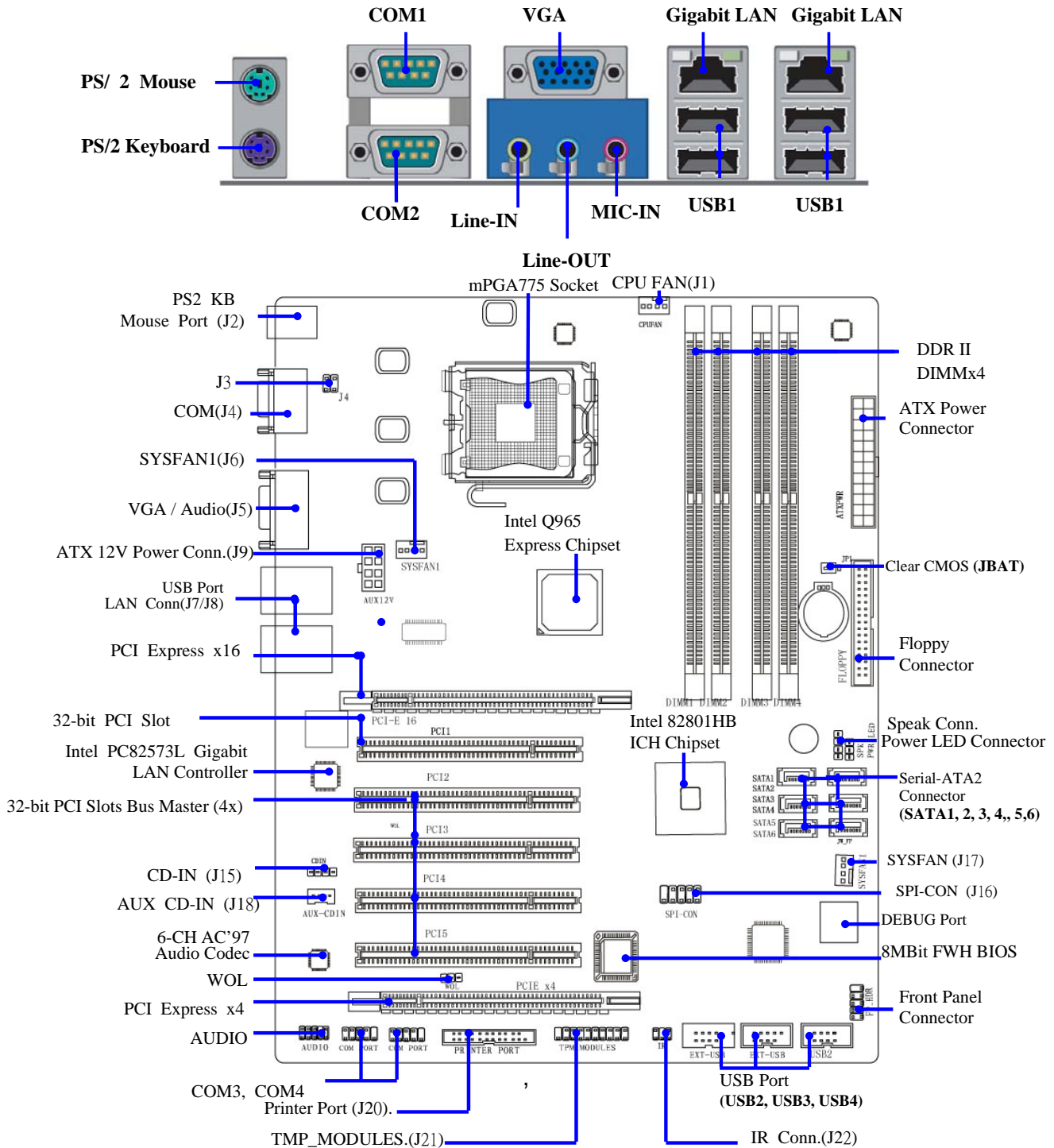


ATXP-965Q

Quick Start Guide



Jumpers

Jumper	Name	Description
JP1	CMOS RAM Clear	3-pin Block

Connectors

Connector	Name	Description
ATX_PWR	ATX Power Connector	24-pin Block
AUX12V	ATX 12V Power Connector	8-pin Block
J7 / J8	RJ45 LAN Port + USB Conn.	RJ-45 Connector and USB Conn.
PS2 KB/MOUSE(J2)	PS/2 Mouse & PS/2 Keyboard Connector	6-pin Female
AUDIO/VGA(J5)	Audio Line In/Out MIC Connector	3 phone jack Connector
	VGA Display Connector	15-pin Female Connector
COM1/COM2(J4)	Serial Port COM1 Connector	9-pin Connector
	Serial Port COM2 Connector	9-pin Connector
FDD	Floppy Driver Connector	34-pin Block
SATA1~6(J9,J10,J11,J12,J13,J14)	Serial-ATA2 Port Connector	7-pin Block

Headers

Header	Name	Description
AUDIO	Line-Out, MIC Headers	9-pin Block
EXT_USB(0&1)(J23)/ EXT_USB(2&3)(J24)/ EXT_USB(8&9)(J25)	USB Port Headers	9-pin Block
SPEAK	Speaker connector	4-pin Block
FP -HDR (Power LED/Reset/ IDE LED/ Power Button)	Front Panel Header (including Power LED/ IDE activity LED/ Reset switch / Power On Button lead)	9-pin Block
CPUFAN (J1)	CPUFAN Power Header	4-pin Block
SYSFAN1, SYSFAN2	FAN Power Headers	3-pin Block
IR(J22)	IR connector	5-Pin Blocks
Printer Port(J20)	Parallel Port header	25-Pin Blocks
COM3/COM4	COM Port Header	40-Pin Blocks
AUX-CD (J15)	AUX CD Audio -In Headers	4-Pin Block
CDIN(J18)	CD Audio-In Headers	4-pin Block

Expansion Sockets

Socket/Slot	Name	Description
LGA 775 Socket	CPU Socket	LGA 775 CPU Socket
DIMM1, DIMM2 DIMM3, DIMM4	DDR2 Module Socket	240-pin DDR2 RAM Module Expansion Socket
PCI1	PCI Slot Non Master	32-bit PCI Local Bus Expansion slots
PCI2-5	PCI Slots Bus Master	32-bit PCI Local Bus Expansion slots
PE1	x16 PCI Express Slot	x16 PCI Express Expansion Slot
PE2	x 16PCI Express Slot	x4 -lane Express Expansion Slot

SYSTEM MEMORY FEATURES

The AXP-965Q supports the following memory features:

- 1.8 V (only) DDR2 SDRAM DIMMs with gold-plated contacts.
- Unbuffered, single-sided or double-sided DIMMs
- 8 GB maximum total system memories.
- Minimum total system memory: 128 MB
- Non-ECC DIMMs
- Serial Presence Detect
- DDR2 800 /667/533 frequencies (800MHz 1Gb technology not supported)

The following table lists the supported DDR DIMM Configurations:

DIMM Capacity	# of Dev./ DIMM	# of Sides	DRAM Tech.	Front Side Population		Back Side Population	
				Count	Config	Count	Config
128 MB	4	SS	256 Mbit	4	16 M x 16		
256 MB	8	SS	256 Mbit	8	32 M x 8		
256 MB	4	SS	512 Mbit	4	32 M x 16		
512 MB	16	DS	256 Mbit	8	32 M x 8	8	32 M x 8
512 MB	8	SS	512 Mbit	8	64 M x 8		
512 MB	4	SS	1 Gbit	4	64 M x 16		
1024 MB	16	DS	512 Mbit	8	64 M x 8	8	64 M x 8
1024 MB	8	SS	1 Gbit	8	128 M x 8		
2048 MB	16	DS	1 Gbit	8	128 M x 8	8	128 M x 8

The AXP-965Q supports two types of memory organization: Dual channel (Interleaved) mode - this mode offers the highest throughput for real world applications and Single channel (Asymmetric) mode - this mode is equivalent to single channel bandwidth operation for real world applications.

PROCESSOR

The ATXP-956Q supports a single Intel Core™2 Duo desktop processor, Pentium D processor and Pentium 4 processor. Processors supported include: Intel® Pentium® D processor 900 sequence, Intel® Pentium® processor Extreme Edition 965, 955, Intel® Pentium® 4 processor 6x1 sequence in an LGA775 package.